

Features

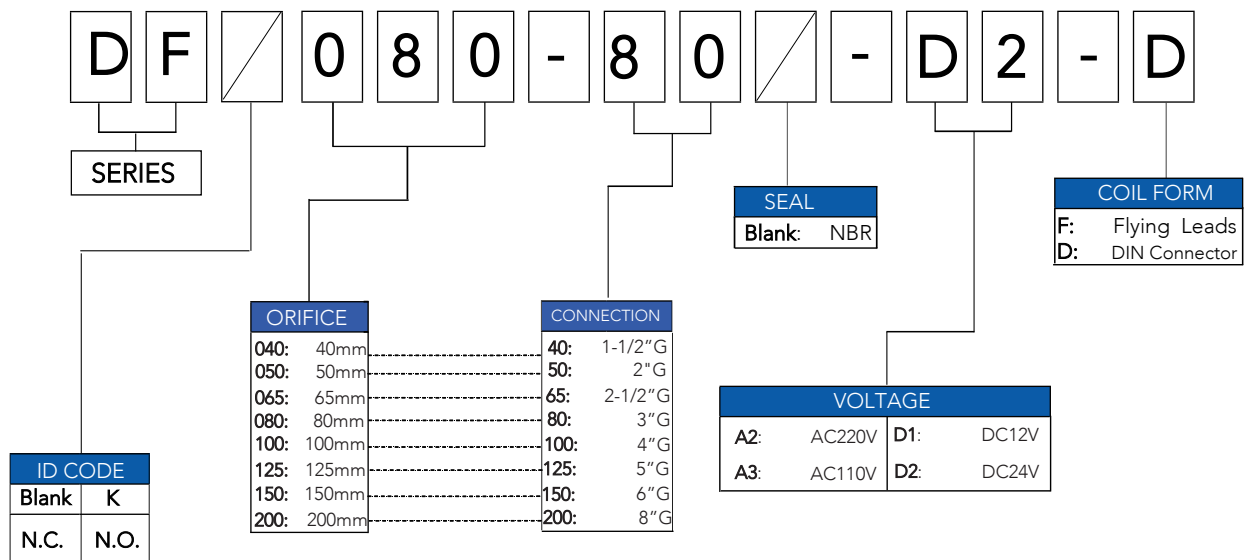
- Flange mounting to fit some engineering application.
- Reliable, proven design with high flows.
- Direct acting design, it has strong resistance to impurities in the medium.



Electrical

Standard Coil	Watt Rating and Power Consumption				Spare Coil Part Number			
	DC		AC		General Purpose		Explosionproof	
	DC12V Watt	DC24V Watt	AC110V Watt	AC220V Watt	AC	DC	AC	DC
H/F	14W	12W	27VA	28VA	XHD-DF-AC	XHD-DF-DC	-	-
-	-	-	-	-	-	-	-	-
-	-	-	-	-	-	-	-	-

Ordering Code

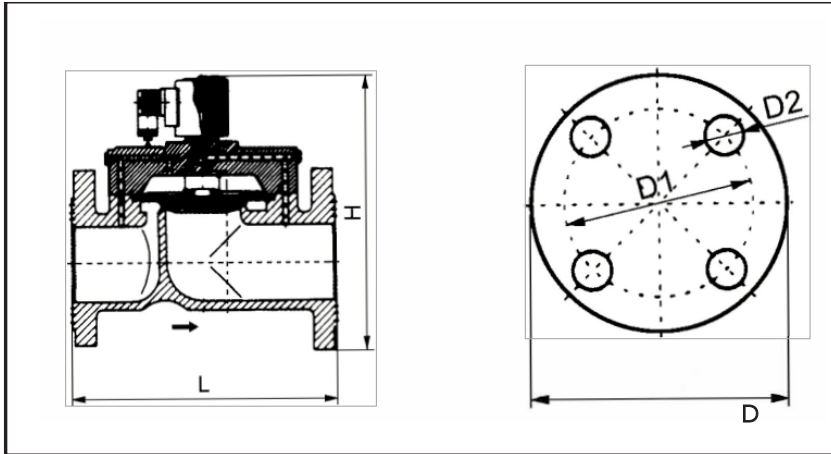


Order Example:

DF series direct acting 2/2 ways solenoid valve, 4" port size, NBR seals, DC24V, DIN connector, Flanged.

SENYA part#DF080-80-D2-D

Dimensions Sheet (mm)



Model	L	H	Flange D	D1	D2
DF040-40-A2-D	165	196	150	Φ110	4-Φ18
DF050-50-A2-D	195	200	165	Φ125	4-Φ18
DF065-80-A2-D	256	280	185	Φ145	4-Φ18
DF080-80-A2-D	277	287	200	Φ160	8-Φ18
DF100-100-A2-D	350	330	220	Φ180	8-Φ18
DF125-125-A2-D	425	437	250	Φ210	8-Φ18
DF150-150-A2-D	450	460	285	Φ240	8-Φ22
DF200-200-A2-D	560	547	340	Φ295	12-Φ22

IMPORTANT: Valves must be mounted in horizontal position

Specifications (Metric units)

Pipe Size (mm)	Orifice Size (mm)	CV Flow Factor	Operating Pressure Differential (Bar)						Max. Fluid Temp. °C		Brass Catalog Number	Stainless Steel 304 Catalog Number	Watt Rating/ Class of Coil Insulation		
			Max. AC			Max. DC			AC	DC			AC	DC	
			Min.	Air-Inert Gas	Water	Light Oil less 50 CST	Air-Inert Gas	Water							Light Oil less 50 CST
NORMALLY CLOSED (Closed when de-energized)															
40	21	24	0	8	8	7	8	8	4	80	80	DF040-40-A2-D	-	6.1/F	11.6/F
50	35	30	0	8	8	7	8	8	-	80	80	DF050-50-A2-D	-	10.1/F	11.6/F
65	35	53	0	8	8	7	8	8	5	80	80	DF065-80-A2-D	-	6.1/F	11.6/F
80	40	82	0	8	8	7	8	8	5	80	80	DF080-80-A2-D	-	17.1/F	-
100	40	128	0	8	8	-	8	8	-	80	80	DF100-100-A2-D	-	6.1/F	11.6/F
125	40	222	0	8	8	7	8	8	5	80	80	DF125-125-A2-D	-	10.1/F	11.6/F
150	40	292	0	8	8	7	8	8	5	80	80	DF150-150-A2-D	-	1/F	-
200	40	29	0	8	8	-	8	8	-	80	80	DF200-200-A2-D	-	6.1/F	11.6/F

***Note:**

Standard Voltages must be specified when ordering. Other voltages please consult SENYA staff for more details